

417-FTH PREFERRED FACIAL TISSUE HOLDER

EXCEPTIONAL DESIGN

sales@preferredbathinc.com

www.preferredbathinc.com

(336) 904-6248



FACIAL TISSUE HOLDER

- EASY TO CLEAN EASY TO INSTALL
- NO ASSEMBLY REQUIRED
- GALVANIZED STEEL

PART NUMBERS

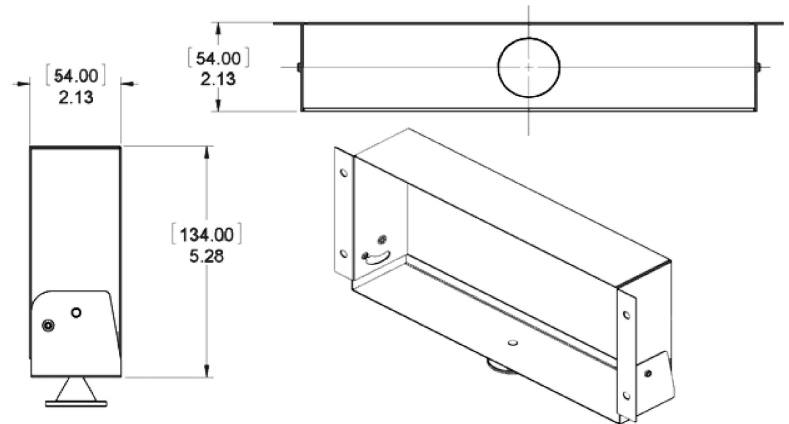
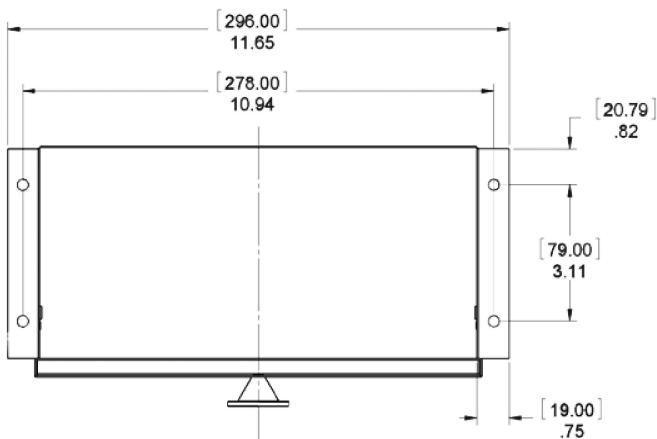
417-FTH

FINISH

GALVANIZED STEEL

HARDWARE INCLUDED

- GALVANIZED STEEL FACIAL TISSUE HOLDER - 1
- STAINLESS STEEL MOUNTING SCREWS - 4



INSTALLATION:

Attach to mounting surface using the 4 provided stainless steel mounting screws.

WOOD BLOCKING IS THE PREFERRED METHOD OF INSTALLATION



Limited Warranty:

Preferred Bath Accessories Inc. warrants to the purchaser that the product will be free from defects in material and workmanship. If the product does not comply with this warranty, Preferred Bath Accessories Inc. will repair or replace the product or, at Preferred Bath Accessories Inc's. option, refund the purchase price. The limited warranty period is for the lifetime of the product. Limitations on the Warranty: The warranty does not cover, normal wear and tear, product abuse, neglect, improper installation or maintenance. Purchaser Requirements: If this product does not meet Preferred Bath Accessories Inc's. warranty, return the product (postage prepaid) to the place of purchase with proof of purchase and a written claim briefly describing the defect. You may be required to provide other information or evidence of the defect.